

-CONFIDENTIAL INFORMATION- THE INFORMATION AND DATA CONTAINED HEREIN IS PROPRIETARY AND IS SUBMITTED IN CONFIDENCE; AND SHALL NOT BE DISCLOSED, USED OR DUPLICATED FOR ANY PURPOSE WHATSOEVER WITHOUT THE PRIOR WRITTEN PERMISSION OF FLIEGEN WORKS INC.

THIS DRAWING IS NOT FAA APPROVED AS PART OF STC SA220SO.

PLEASE USE THIS DRAWING TO ASSIST IN DOCUMENTING THE RELEASE HANDLE INSTALL LOCATION ON YOUR AIRCRAFT.

MARK UP DRAWING WITH CHOSEN LOCATION AND DIMENSIONS TO USE WITH A 337.

AIRCRAFT MAKE: \_\_\_\_\_

MODEL: \_\_\_\_\_

S/N: \_\_\_\_\_

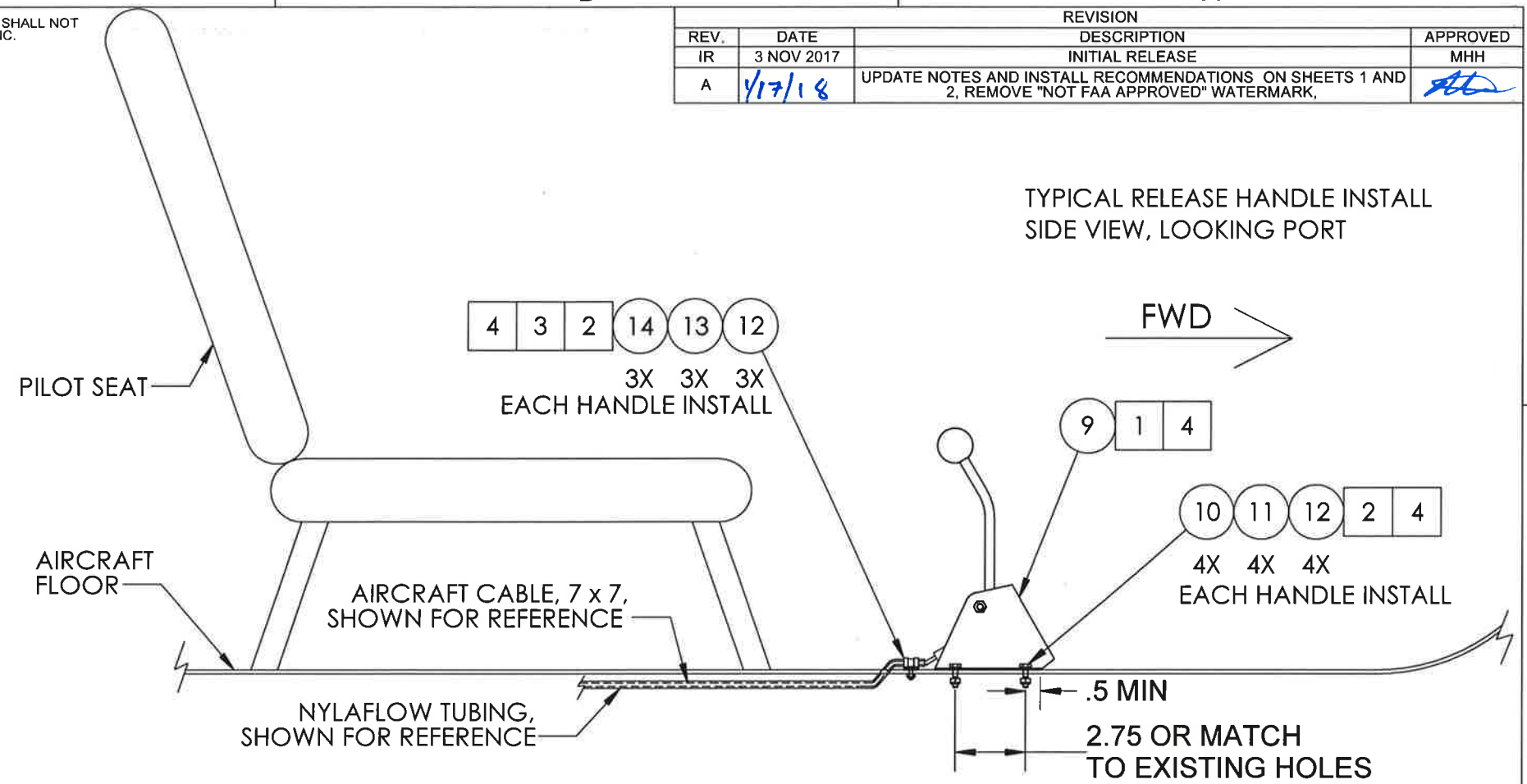
337 DATE: \_\_\_\_\_

PLEASE SEND A COPY OF THIS DRAWING BACK TO PACIFIC AERIAL TOW HOOKS. SALES@FLIEGENWORKS.COM

**NOTES:**

1. INSTALL RELEASE HANDLE ASSEMBLY, (12), TO FLOOR IN CHOSEN LOCATION. REFER TO AC 43.13-2B CHAPTER 8 FOR INSTALL GUIDANCE. HANDLE CANNOT INTERFERE WITH PILOTS LEGS OR RUDDER PEDALS AND MUST BE WITHIN EASY REACH.
2. USE APPROPRIATE BOLT/SCREW LENGTH THAT WORKS FOR FLOOR THICKNESS ON THE AIRCRAFT.
3. ROUTE AIRCRAFT CABLE AND NYLAFLOW TUBING AFT UNDERNEATH AIRCRAFT FLOOR. SECURE NYLAFLOW TUBING AND AIRCRAFT CABLE WITH (13) BEFORE PASSING THROUGH FLOOR AND IN TWO OTHER LOCATIONS, KEEPING TUBING AWAY FROM AIRCRAFT CONTROLS.
4. ITEMS (9), (10), (11), (12), (13) AND (14) ARE SHOWN FOR REFERENCE. SEE DRAWING 6151.
5. IN AIRCRAFT WITH SIDE-BY-SIDE SEATING, A HANDLE MAY BE PLACED SLIGHTLY OFF CENTERED ON PILOTS SEAT AND/OR SLIGHTLY OFF CENTER OF AIRCRAFT CENTERLINE IN BETWEEN THE PILOT AND COPILOT.

REV.	DATE	DESCRIPTION	APPROVED
IR	3 NOV 2017	INITIAL RELEASE	MHH
A	1/17/18	UPDATE NOTES AND INSTALL RECOMMENDATIONS ON SHEETS 1 AND 2, REMOVE "NOT FAA APPROVED" WATERMARK.	<i>[Signature]</i>



-8 QTY	-7 QTY	-6 QTY	-5 QTY	-4 QTY	-3 QTY	-2 QTY	-1 QTY	ITEM NO	Part or Identifying Number	Description	Remarks						
								6	AN525-10R6	SCREW, STRUCTURAL - WASHER HEAD	REFERENCE DRAWING 6151						
								6	MS21919-WDG4	ADEL CLAMP	REFERENCE DRAWING 6151						
								11	AN365-1032A	LOCKNUT	REFERENCE DRAWING 6151						
								8	AN960-10	WASHER	REFERENCE DRAWING 6151						
								8	AN3-6A	BOLT - MACHINE, AIRCRAFT	REFERENCE DRAWING 6151						
								2	6151	RELEASE HANDLE ASSEMBLY	REFERENCE DRAWING 6151						
								X	8	1050-8	INSTALLATION, FLOOR RELEASE HANDLE - SIDE BY SIDE, DUAL POSITION 2 & 3						
									X	7	1050-7	INSTALLATION, FLOOR RELEASE HANDLE - SIDE BY SIDE, DUAL POSITION 1 & 3					
										6	1050-6	INSTALLATION, FLOOR RELEASE HANDLE - SIDE BY SIDE, DUAL POSITION 1 & 2					
										X	5	1050-5	INSTALLATION, FLOOR RELEASE HANDLE - SIDE BY SIDE, SINGLE POSITION 3				
											X	4	1050-4	INSTALLATION, FLOOR RELEASE HANDLE - SIDE BY SIDE, SINGLE POSITION 2			
												X	3	1050-3	INSTALLATION, FLOOR RELEASE HANDLE - SIDE BY SIDE, SINGLE POSITION 1		
													X	2	1050-2	INSTALLATION, FLOOR RELEASE HANDLE - TANDEM, DUAL	
														X	1	1050-1	INSTALLATION, FLOOR RELEASE HANDLE - TANDEM, SINGLE

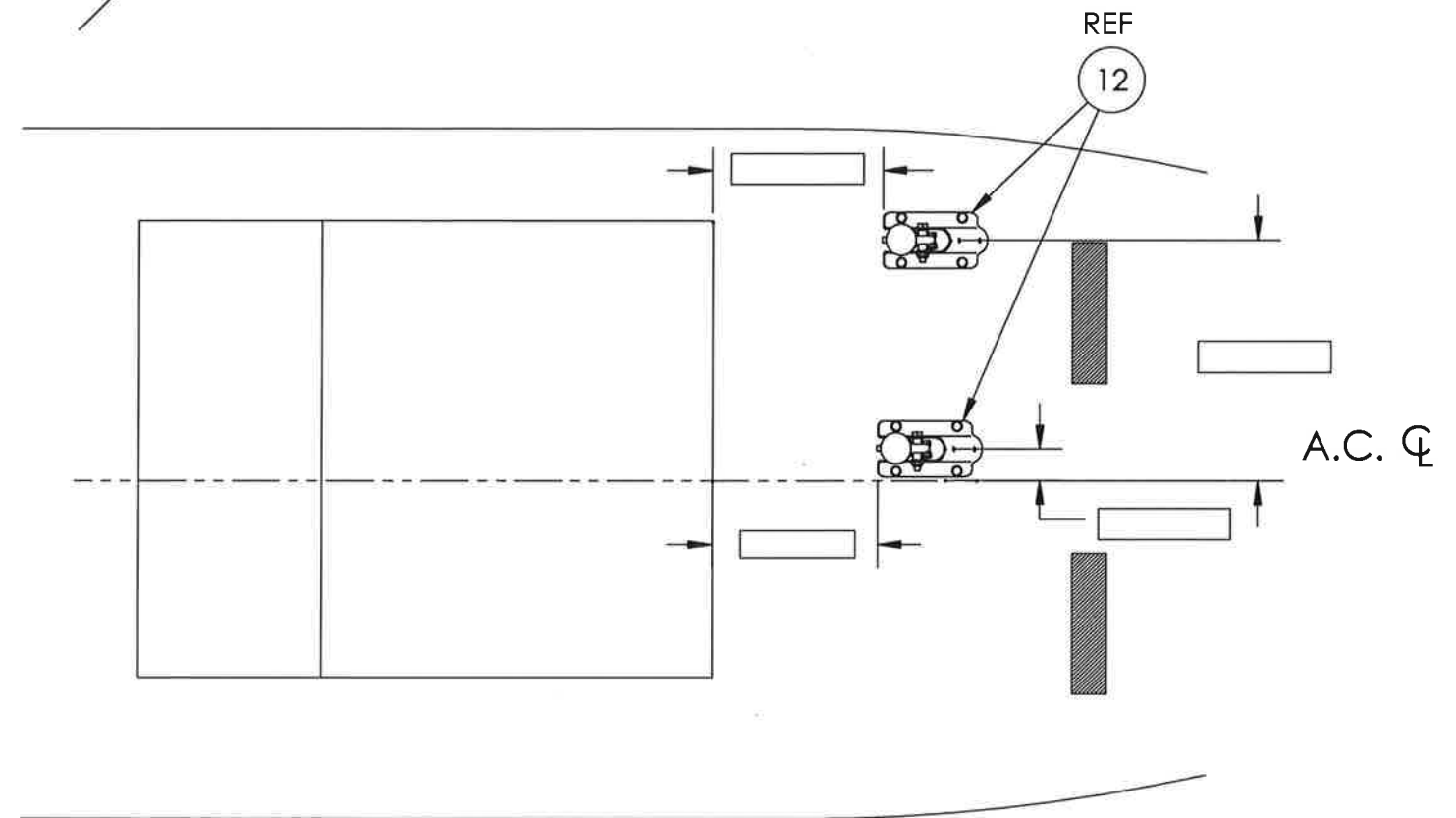
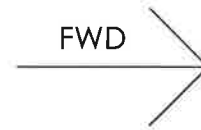
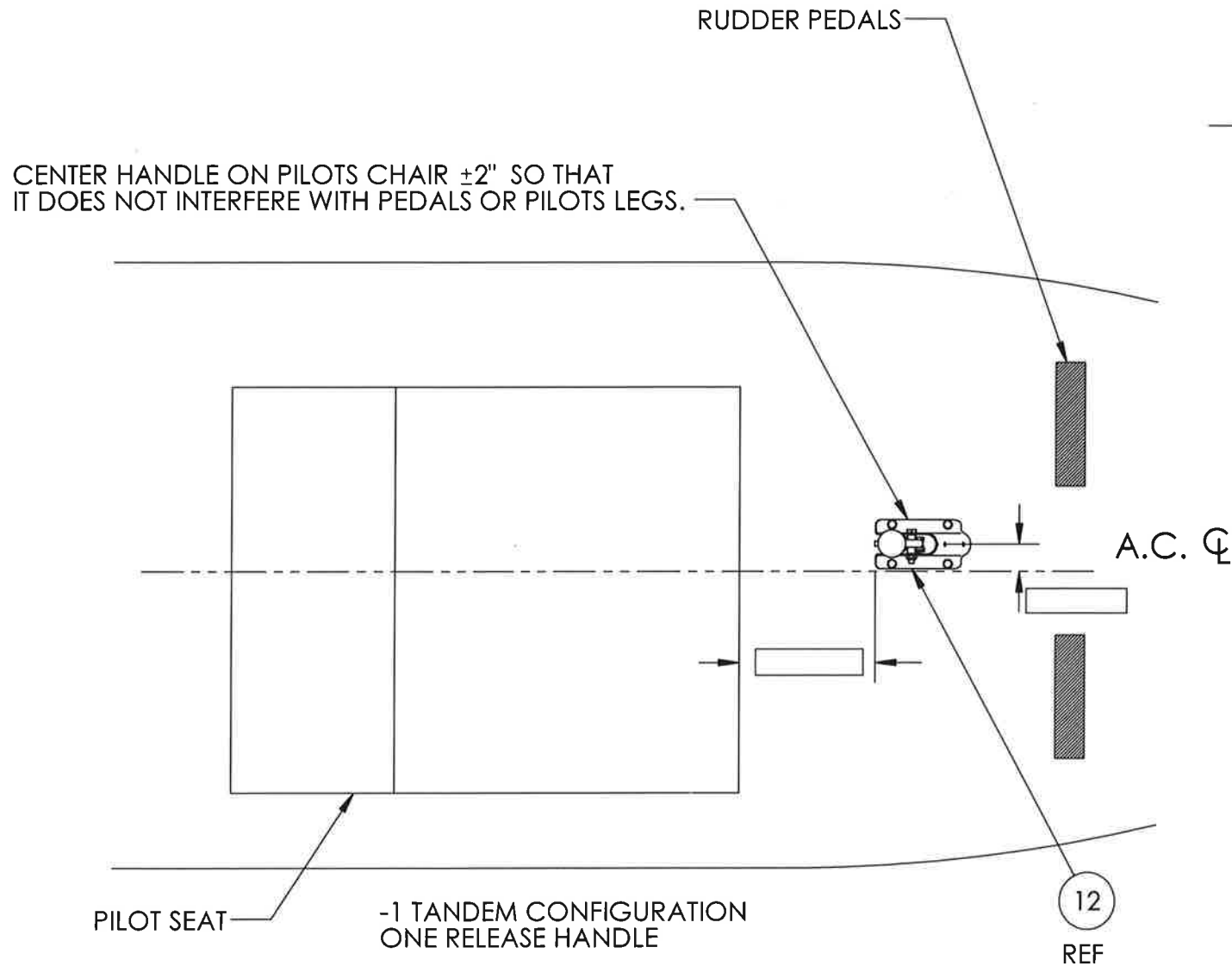
THIRD ANGLE PROJECTION

**Fliegen Works Inc.**  
921 SE 47th Ave. Portland, Oregon 97215  
phone 503 221-1001 fax 503 262-7176

TITLE: **INSTALLATION KIT, FLOOR RELEASE HANDLE**

SURFACE:	APPROVALS	NAME	DATE	UNLESS OTHERWISE SPECIFIED DIMENSIONS ARE IN INCHES TOLERANCES ARE: FRACTIONS +/- 1/32 1 plc. 0.X +/-0.1 2 plc. 0.XX +/-0.05 3 plc. 0.XXX +/-0.005 ANGLES +/- 1°	DWG NO. <b>1050</b>	REV. <b>A</b>
FINISH:	DRAWN BY	DH	8/31/17		SIZE: <b>B</b> SCALE: <b>NONE</b>	SHT. <b>1</b> OF <b>3</b>
PER:	MANUFACTURE	<i>[Signature]</i>	1-17-18		NEXT ASBY: <b>1200, 1210, 1220, ETC.</b>	PRINT DATE
TYPE:	ENGINEERING	<i>[Signature]</i>	17JAN '18		PROJECT: <b>FW660</b>	<b>17 JAN 2018</b>
	RELEASED	<i>[Signature]</i>	1/17/2018			

-CONFIDENTIAL INFORMATION- THE INFORMATION AND DATA CONTAINED HEREIN IS PROPRIETARY AND IS SUBMITTED IN CONFIDENCE, AND SHALL NOT BE DISCLOSED, USED OR DUPLICATED FOR ANY PURPOSE WHATSOEVER WITHOUT THE PRIOR WRITTEN PERMISSION OF FLIEGEN WORKS INC.



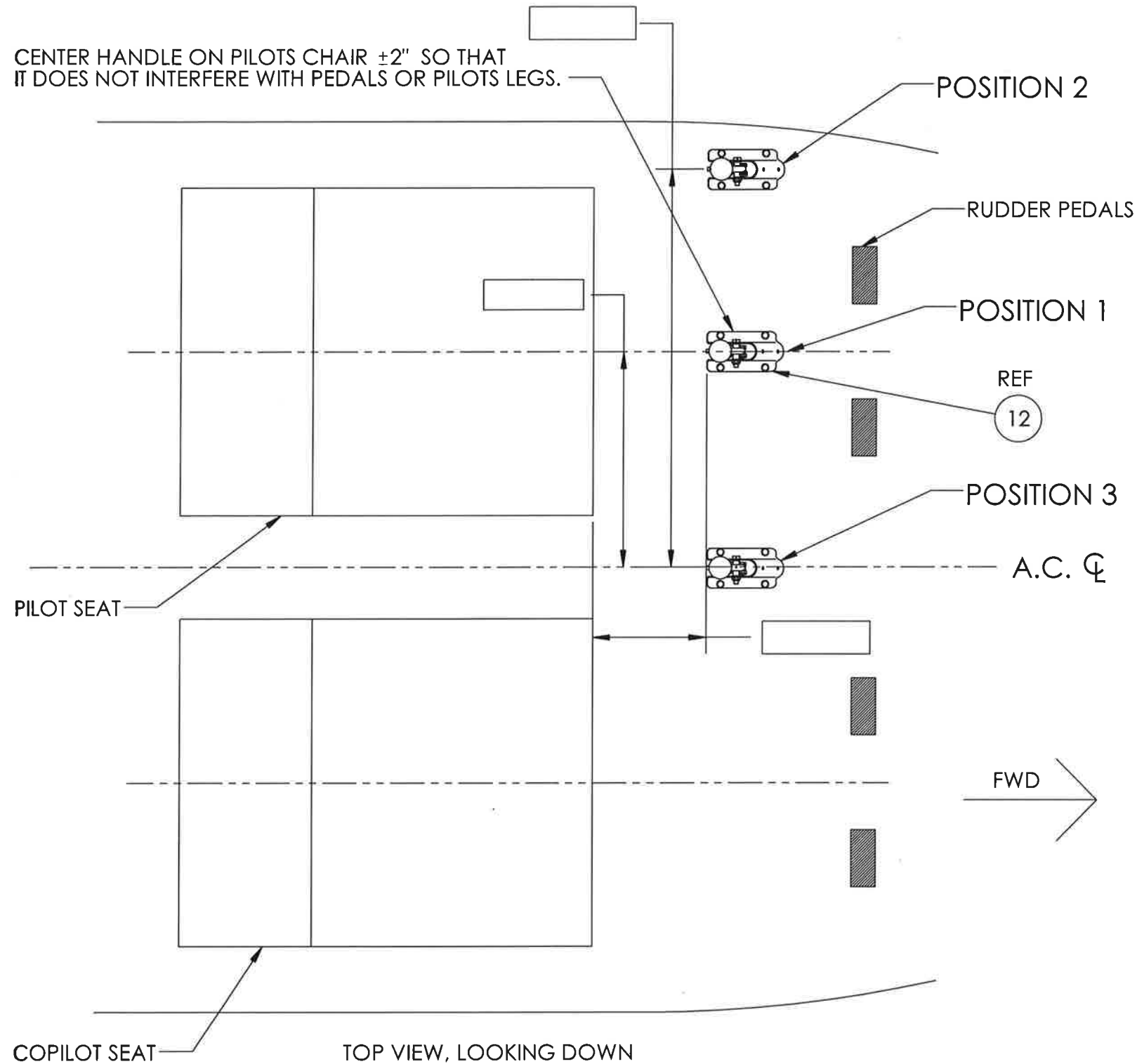
-2 TANDEM CONFIGURATION,  
TWO RELEASE HANDLES. ONLY USE IF FUSELAGE  
IS WIDE ENOUGH TO ACCOMODATE SIDE HANDLE  
WITHOUT INTERERING WITH LEGS OR ARMS.

2 INSTALLATION RECOMMENDATIONS & CHECKLIST:

- HANDLE CANNOT INTERFERE WITH PILOT'S OR PASSENGER'S ABILITY TO EXIT SEAT WHEN NEEDED.
- REACHING FOR OR ENGAGING RELEASE HANDLE MUST NOT CAUSE PILOT TO BUMP OR MOVE ANY OTHER CONTROLS.
- IF USING MULTIPLE HANDLES, EACH HANDLE TO BE MARKED WITH A NUMBER OR COLOR INDICATING WHICH TOW HOOK IT RELEASES.
- HANDLE OPERATION MUST BE CHECKED ON THE GROUND TO INSURE THAT ENOUGH LEVERAGE CAN BE ATTAINED AND THAT HOOK RELEASES PROPERLY WHEN HANDLE IS PULLED. SEE ICA, FWI660-13, PAGE 201.
- UNLESS OTHERWISE NOTED, HANDLE MUST BE INSTALLED SO THAT AN AFTWARD PULL CAUSES TOW HOOK RELEASE.

THIRD ANGLE PROJECTION					<b>Fliegen Works Inc.</b> 921 SE 47th Ave. Portland, Oregon 97215 phone 503 221-4001 fax 503 262-7176			TITLE: <b>INSTALLATION KIT,                  FLOOR RELEASE HANDLE</b>		
SURFACE:		APPROVALS	NAME	DATE	UNLESS OTHERWISE SPECIFIED DIMENSIONS ARE IN INCHES TOLERANCES ARE: FRACTIONS +/- 1/32 1 plc. 0.X +/-0.1 2 plc. 0.XX +/-0.05 3 plc. 0.XXX +/-0.005 ANGLES +/- 1°	DWG NO.		REV.		
FINISH:		DRAWN BY		8/31/17		1050		A		
PER:		MANUFACTURE		1-17-18		SIZE: B	SCALE: NONE	SHT. 2	OF 3	
TYPE:		ENGINEERING		17 JAN '18		NEXT ASSY. 1200, 1210, 1220, ETC.		PRINT DATE		
		RELEASED		1/17/18	PROJECT: FW660		17 JAN 2018			

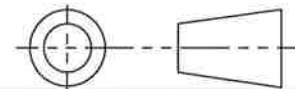
CENTER HANDLE ON PILOTS CHAIR  $\pm 2"$  SO THAT IT DOES NOT INTERFERE WITH PEDALS OR PILOTS LEGS.



**SIDE BY SIDE CONFIGURATIONS**

- 3: ONE HANDLE IN POSITION 1
- 4: ONE HANDLE IN POSITION 2
- 5: ONE HANDLE IN POSITION 3
- 6: HANDLE IN POSITIONS 1 AND 2
- 7: HANDLE IN POSITIONS 1 AND 3
- 8: HANDLE IN POSITIONS 2 AND 3

THIRD ANGLE PROJECTION



**Fliegen Works Inc.**  
 921 SE 47th Ave. Portland, Oregon 97215  
 phone 503 221-1001 fax 503 262-7176

TITLE  
**INSTALLATION KIT,  
 FLOOR RELEASE HANDLE**

SURFACE: FINISH: PER: TYPE:	APPROVALS	NAME	DATE	UNLESS OTHERWISE SPECIFIED DIMENSIONS ARE IN INCHES TOLERANCES ARE: FRACTIONS +/- 1/32 1 plc. 0.X +/-0.1 2 plc. 0.XX +/-0.05 3 plc. 0.XXX +/-0.005 ANGLES +/- 1°	DWG NO. <b>1050</b>	REV. <b>A</b>	
	DRAWN BY	DH	8/31/17		SIZE: <b>B</b>	SCALE: <b>NONE</b>	SHT. <b>3</b> OF <b>3</b>
	MANUFACTURE	<i>[Signature]</i>	1-17-18		NEXT ASSY: 1200, 1210, 1220, ETC.	PRINT DATE	
	ENGINEERING	<i>[Signature]</i>	17 JAN '18		PROJECT: <b>FW660</b>	<b>17 JAN 2018</b>	
	RELEASED	<i>[Signature]</i>	1/17/18				